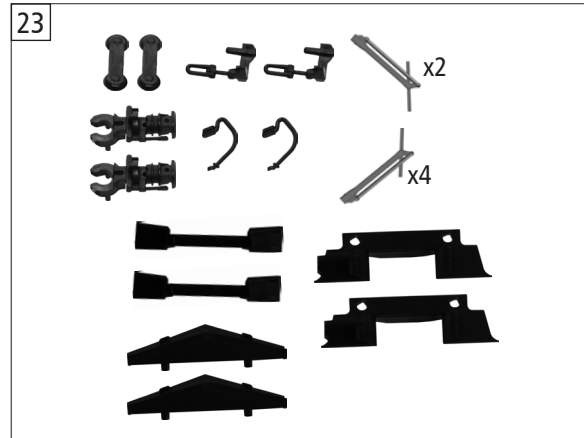
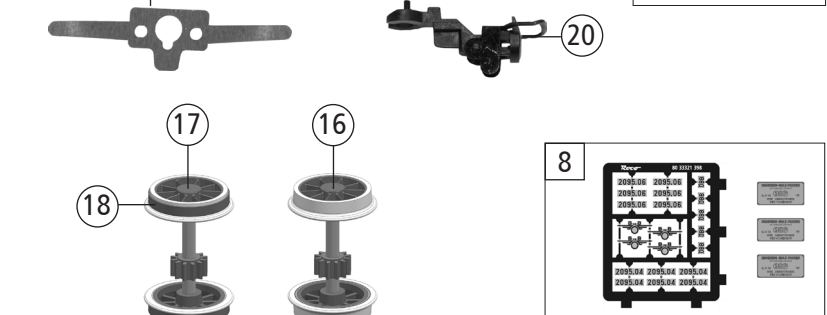
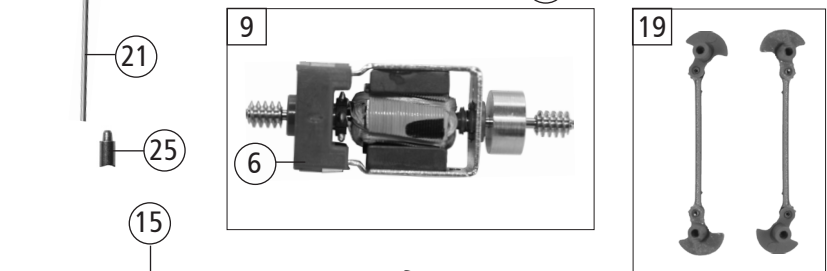
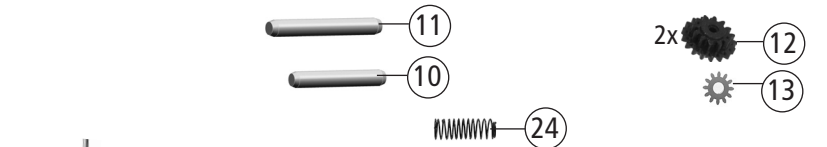
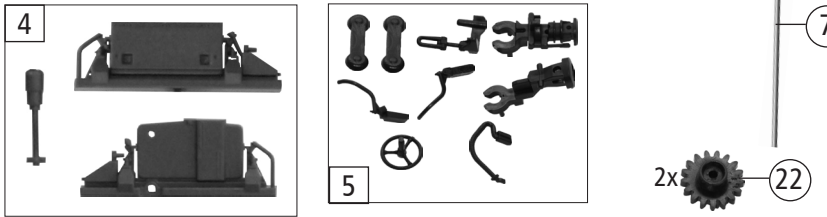


| Pos. Nr. Pos.no. | Beschreibung Description | Art.-Nr. Art.no. | Preisgruppe Price bracket |
|---------------------|--|---------------------|------------------------------|
| 7540007 | ÖBB Rh 2095 | = | |
| 7550007 | | = | 🔊 |
| 1 | Gehäuse kpl. 2095.13 Body ass. loco no. 2095.13 | 154245 | 36 |
| 2 | E-Lokführer Loco driver | 110407 | 6 |
| 3 | Griffstange lack. Hand-rail painted | 142153 | 7 |
| 4 | Lüftergitter Part set ventilator grills | 142154 | 7 |
| 5 | Führungsstange Hand-rail | 142155 | 5 |
| 6 | GF-Schraube M1,6x10 mm Self-tapping screw M1,6x10 mm | 114881 | 3 |
| 7 | Dachdeckel Roof cover | 142127 | 6 |
| 8 | TS-Führerstand Part set of driver's cabs | 152983 | 10 |
| 9 | TS-Inneneinrichtung Part set of interior fittings | 142129 | 9 |
| 10 | TS-Schneepflug, Frontschürze Part set of snow plow, front skirt | 142133 | 9 |
| 11 | Stirblech Front plate | 142135 | 6 |
| 12 | Stirngriffstange Vertical handrail | 142136 | 6 |
| 13 | E-Kabelanschluss Cable connection | 142137 | 6 |
| 14 | Scheibenwischer + Signalhorn Wipers + horn | 142139 | 8 |
| 15 | TS - Fenster Part set of windows | 142141 | 17 |
| 16 | TS-Lichtleiter Part set of light conductor | 142142 | 10 |
| 17 | Feuerlöscher Fire extinguisher | 135357 | 6 |
| 18 | Lichtringe Light ring | 139819 | 5 |
| 19 | Platine kpl.mit LED-Platine PCB complete with LED-PCB | 149976 | 19 |
| 20 | Brückenstecker Jumper | 133241 | 10 |
| Sound | | | |
| 21 | Platine kpl.mit LED-Platine für So. PCB complete with LED-PCB | 149977 | 22 |
| 22 | Sounddecoder Sound-decoder | 147377 | 39 |
| 23 | Lautsprecher Loudspeaker | 129524 | 13 |

Änderungen in Konstruktion und Ausführung vorbehalten
We reserve the right to change the construction and specification



| Pos. Nr. Pos.no. | Beschreibung Description | Art.-Nr. Art.no. | Preisgruppe Price bracket |
|---------------------|--|---------------------|------------------------------|
| 1 | Grundrahmen Basic frame | 142126 | 17 |
| 2 | Blende Blind | 152979 | 7 |
| 3 | TS-Getriebe Part set gear | 142132 | 9 |
| 4 | TS - Tankdeckel,.. Part set of tank cover | 154244 | 11 |
| 5 | TS - Schlauch, Kupplung Part set of hose, coupling | 142138 | 8 |
| 6 | Bürstenhalter Motor Carbon brush holder | 89744 | 6 |
| 7 | Rückstellfeder Retainer spring | 142143 | 5 |
| 8 | TS-Tafelsätze Part set-Panels | 154246 | 14 |
| 9 | Motor m.Schwungm.+2Schn. Motor with flywheel+2wormgears | 142145 | 30 |
| 10 | Achse f. Zahnrad D=1 L=6,4 mm Axle for gear wheel D=1 L=6,4 mm | 00730541 | 1 |
| 11 | Achse D=2,1 L=8 mm Axle D=2,1 L=8 mm | 142146 | 5 |
| 12 | Untersetzungszahnrad Z=12/17 Reduction gear wheel Z=12/17 | 56718500 | 5 |
| 13 | Zwischenzahnrad Z=12 D=5,6 Intermediate gear wheel Z=12 D=5,6 | 112464 | 3 |
| 14 | Schraube M1,5x5 mm Screw M1,5x5 mm | 108137 | 3 |
| 15 | Radkontakt Wheel contact | 142147 | 7 |
| 16 | Radsatz mit Zahnrad ohne Haftring Wheelset w. gear wheel w/o tract.tyre | 142148 | 11 |
| 17 | Radsatz mit Zahnrad mit 2 Haftringen Wheelset w. gear wheel w.2 tract.tyres | 142149 | 12 |
| 18 | Haftring N ab 8,5 mm 10 Stk. Set with traction tyres 10pieces | 85610 | 10 |
| 19 | TS - Kuppelstangen Part set-Coupling rods | 142150 | 18 |
| 20 | Bosnakupplung kpl. BOSNA coupling complete | 142151 | 6 |
| 21 | Achse D=1,5 L=19,9 mm Axle D=1,5 L=19,9 mm | 142156 | 5 |
| 22 | Zahnrad Z=17 Gear wheel Z=17 | 00567132 | 4 |
| 23 | Zurüstbeutel Bag of accesories | 144812 | 18 |
| 24 | Bürstenfeder Carbon brush spring | 86207 | 6 |
| 25 | Kohlebürste Carbon brush | 89743 | 6 |